



**MITSUBISHI ELECTRIC AUTOMATION (THAILAND) CO., LTD.**

Bang-Chan Industrial Estate No. 111 Moo 4, Serithai Rd., T.Kannayao, A.Kannayao, BKK 10230 Thailand  
 Tel: (66) 2517-1326, (66) 2919-9873 Fax: (66) 2517-1328 URL: www.meath-co.com E-mail: support@meath.co.th

**บริษัท มิตซูบิชิ อิเล็กทริก ออโตเมชัน (ประเทศไทย) จำกัด**

นิติบุคคลสหกรณ์บางชัน เลขที่ 111 หมู่ 4 ถนนเสรีไทย แขวงคันทนาเยาว เขตคันทนาเยาว กทม. 10230

โทรศัพท์: (66) 2517-1326, (66) 2919-9873 โทรสาร: (66) 2517-1328 URL: www.meath-co.com E-mail: support@meath.co.th

**MOTOR SPECIFICATION SHEET**

MODEL : SF-QRV 5HP 6P (LT)

USED FOR : STANDARD

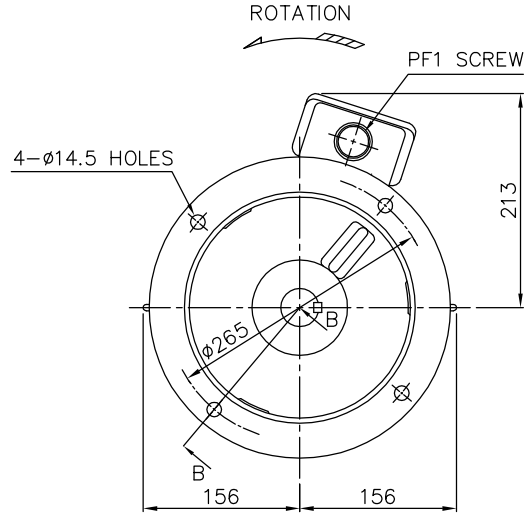
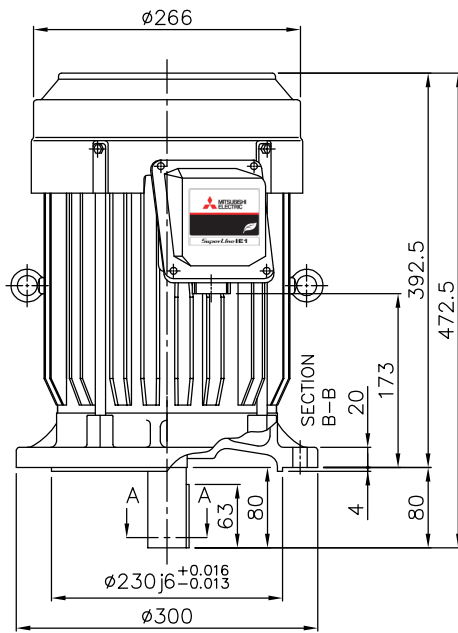
| DESCRIPTION                      | DETAIL   |      |      |  |
|----------------------------------|--|------|------|--|
| PHASE                            | 3  |      |      |  |
| MODEL NAME                       | SF-QRV   |      |      |  |
| RATED OUTPUT, HP (kW)            | 5 (3.7)  |      |      |  |
| POLE                             | 6  |      |      |  |
| CODE                             | MEATH CODE : 1M002V-600370QVGD0                |      |      |  |
| OUTLINE DRAWING NO.              | ONM240165-B                                    |      |      |  |
| RATED VOLTAGE (V)                | 220  | 380  | 415  |  |
| RATED FREQUENCY (Hz)             | 50   | 50   | 50   |  |
| RATED CURRENT (A)                | 14.5   | 8.4  | 8.3  |  |
| RATED SPEED (min <sup>-1</sup> ) | 950  | 950  | 960  |  |
| RATED EFFICIENCY (%)             | 81.8   | 81.8 | 81.5 |  |
| EFFICIENCY CLASS                 | IE1  |      |      |  |
| THERMAL CLASS                    | 155(F)   |      |      |  |
| RATING                           | S1 (CONTINUOUS)                                |      |      |  |
| ENCLOSURE CONSTRUCTION           | TOTALLY ENCLOSED FAN COOLED                    |      |      |  |
| DEGREES OF PROTECTION            | IP55   |      |      |  |
| METHOD OF COOLING                | IC411  |      |      |  |
| FRAME NO.                        | 132S   |      |      |  |
| WEIGHT (kg)                      | 56.5   |      |      |  |
| STANDARD                         | IEC 60034-1, IEC 60034-30-1                    |      |      |  |
| INSTALLATION                     | FLANGE MOUNTED (VERTICAL)                      |      |      |  |
| ROTATION                         | CCW (VIEWED FROM SHAFT END)                    |      |      |  |
| BEARING                          | LOAD SIDE : 6308ZZ                             |      |      |  |
|                                  | OPPOSITE SIDE : 6207ZZ                         |      |      |  |
| BEARING GREASE                   | UREA GREASE                                    |      |      |  |
| NOISE (db.A)                     | 65   |      |      |  |
| VIBRATION                        | V10  |      |      |  |
| CIRCUMSTANCE<br>CONDITION        | AMBIENT TEMPERATURE : -20 ~ +40°C              |      |      |  |
|                                  | AMBIENT HUMIDITY : 95%RH OR LESS               |      |      |  |
|                                  | ABOVE SEA LEVEL : 1000m OR LESS                |      |      |  |
|                                  | ENVIRONMENT : NO BURSTING/EROSIVE GAS OR VAPOR |      |      |  |
| COLOR                            | MUNSELL N1.5 (BLACK)                           |      |      |  |
| TERMINAL BOX                     | NO. OF LEAD WIRES : 6                          |      |      |  |
|                                  | SOURCE CONNECTION : TERMINAL BLOCK             |      |      |  |
| SHAFT SWING                      | ≤0.03mm  |      |      |  |
| MATERIAL                         | FRAME : STEEL PLATE                            |      |      |  |
|                                  | BRACKET LOAD SIDE : CAST IRON (FLANGE)         |      |      |  |
|                                  | OPPOSITE SIDE : ALUMINIUM                      |      |      |  |
|                                  | SHAFT : CARBON STEEL                           |      |      |  |
|                                  | STATOR CORE : ELECTRICAL STEEL                 |      |      |  |
|                                  | WIRE : ENAMELLED COPPER MAGNET WIRE            |      |      |  |
|                                  | ROTOR CORE : ELECTRICAL STEEL                  |      |      |  |
|                                  | CONDUCTOR : ALUMINIUM                          |      |      |  |
|                                  | TERMINAL BOX : STEEL PLATE                     |      |      |  |
|                                  | PAINTING : POLYURETHANE RESIN                  |      |      |  |
| PRODUCTION COUNTRY               | THAILAND                                       |      |      |  |

|                                |  |  |  |  |
|--------------------------------|--|--|--|--|
| <b>SPECIFICATION SHEET NO.</b> |  |  |  |  |
| SS-M-2980-A                    |  |  |  |  |

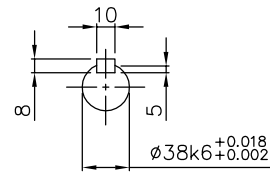
# MODEL SF-QRV THREE PHASE INDUCTION MOTOR OUTLINE DRAWING

TOTALLY ENCLOSED FAN COOLED TYPE  
 DEGREES OF PROTECTION IP55  
 DUST & WATER JET PROOF

CUSTOMER \_\_\_\_\_  
 USER \_\_\_\_\_  
 FOR \_\_\_\_\_  
 CUSTOMER'S  
 ORDER NO. \_\_\_\_\_  
 QUANTITY \_\_\_\_\_  
 MFG.  
 ORDER NO. \_\_\_\_\_



BOTTOM VIEW OF SHAFT END

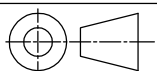


SECTION A-A

| YOUR ORDER | FRAME SIZE | RATING     | TH. CLASS | AMB. TEMP. | BEARINGS  |           | COLOR                | DIRECTION OF ROTATION (VIEWED FROM SHAFT END) | NO. OF LEAD WIRES | REMARKS |
|------------|------------|------------|-----------|------------|-----------|-----------|----------------------|---|-------------------|---------|
|            |            |            |           |            | LOAD SIDE | OPP. SIDE |                      |   |                   |         |
|            | 132S       | S1 (CONT.) | 155(F)    | 40°C       | 6308ZZ    | 6207ZZ    | BLACK (MUNSELL N1.5) | CCW   | 6                 |         |

| YOUR ORDER | OUTPUT |     | POLES | VOLTS       | HERTZ | AMP.           | RPM            | IE CODE--RATED EFF.      | REMARKS |
|------------|--------|-----|-------|-------------|-------|----------------|----------------|--------------------------|---------|
|            | HP     | KW  |       |             |       |                |                |                          |         |
|            | 7.5    | 5.5 | 2     | 220/380/415 | 50    | 19.7/11.4/11.3 | 2885/2885/2910 | IE1<br>84.7%/84.7%/84.7% | LT      |
|            | 10     | 7.5 | 2     | 220/380/415 | 50    | 25.5/14.7/14.0 | 2890/2890/2910 | IE1<br>86.0%/86.0%/86.0% | LT      |
|            | 7.5    | 5.5 | 4     | 220/380/415 | 50    | 20.2/11.7/11.6 | 1450/1450/1460 | IE1<br>84.7%/84.7%/84.7% | LT      |
|            | 5      | 3.7 | 6     | 220/380/415 | 50    | 14.5/8.4/8.3   | 950/950/960    | IE1<br>81.8%/81.8%/81.5% | LT      |
|            | 7.5    | 5.5 | 2     | 380/415     | 50    | 11.4/11.2      | 2900/2910      | IE1<br>84.7%/84.7%       | HT      |
|            | 10     | 7.5 | 2     | 380/415     | 50    | 14.8/14.2      | 2900/2920      | IE1<br>86.0%/86.0%       | HT      |
|            | 7.5    | 5.5 | 4     | 380/415     | 50    | 11.7/11.7      | 1450/1460      | IE1<br>85.8%/85.6%       | HT      |
|            | 5      | 3.7 | 6     | 380/415     | 50    | 8.52/8.50      | 950/960        | IE1<br>81.8%/81.5%       | HT      |

MITSUBISHI ELECTRIC AUTOMATION (THAILAND) CO., LTD.



DIMENSION IN mm.

SCALE : NTS

OUTLINE DRAWING NO.

REV.

0 N M 2 4 0 1 6 5 B